

Presence detector - Professional Line

Dual US

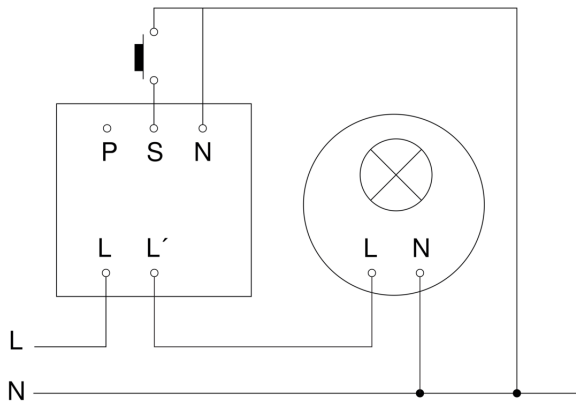
COM1 - Concealed wiring
EAN 4007841 007843
Article number 007843



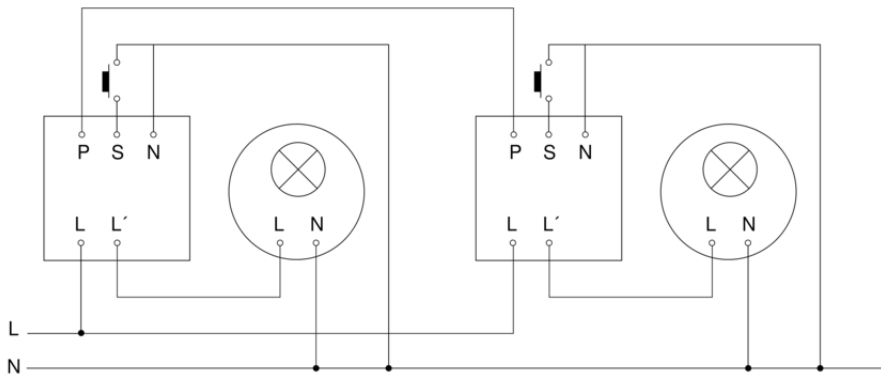
Dual US

COM1 - Concealed wiring
EAN 4007841 007843
Article number 007843

Master circuit diagram



Master/master interconnection circuit diagram



Dual US

COM1 - Concealed wiring
EAN 4007841 007843
Article number 007843

Master/slave interconnection circuit diagram

